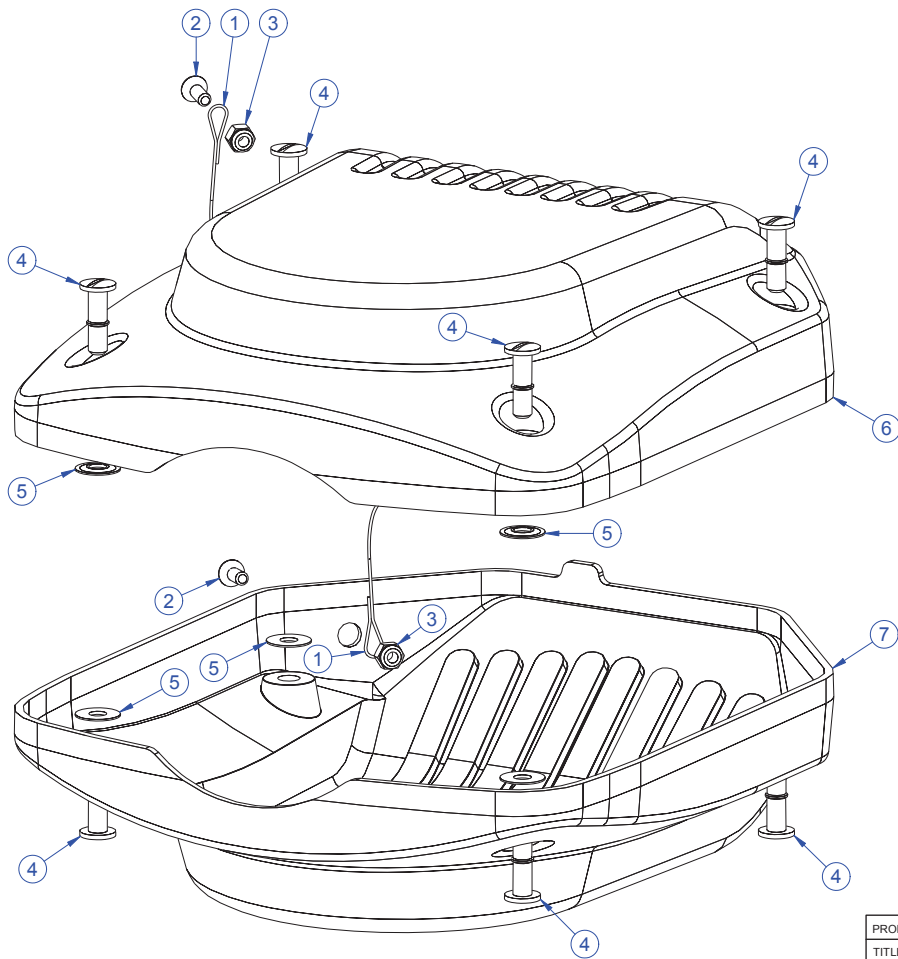
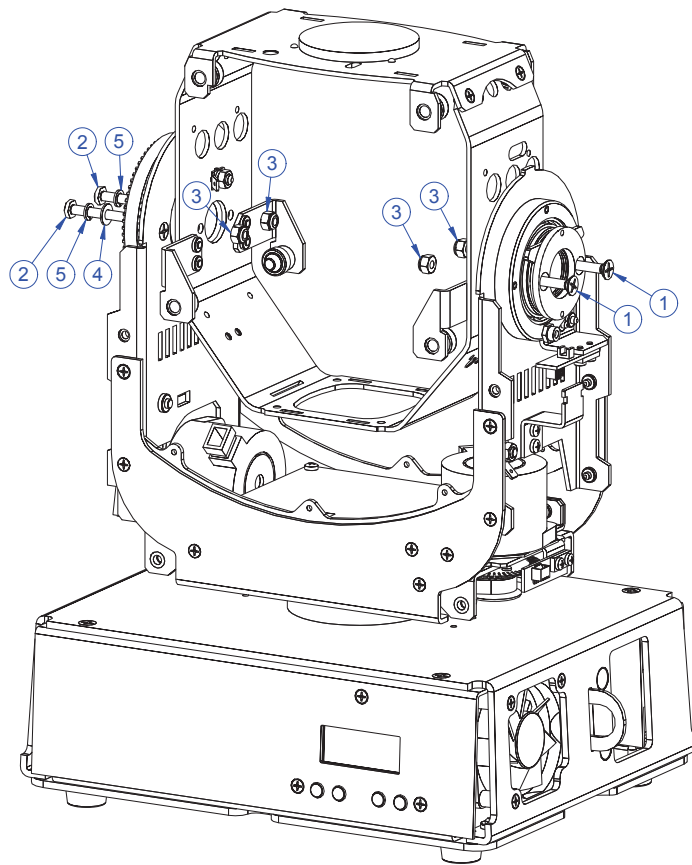


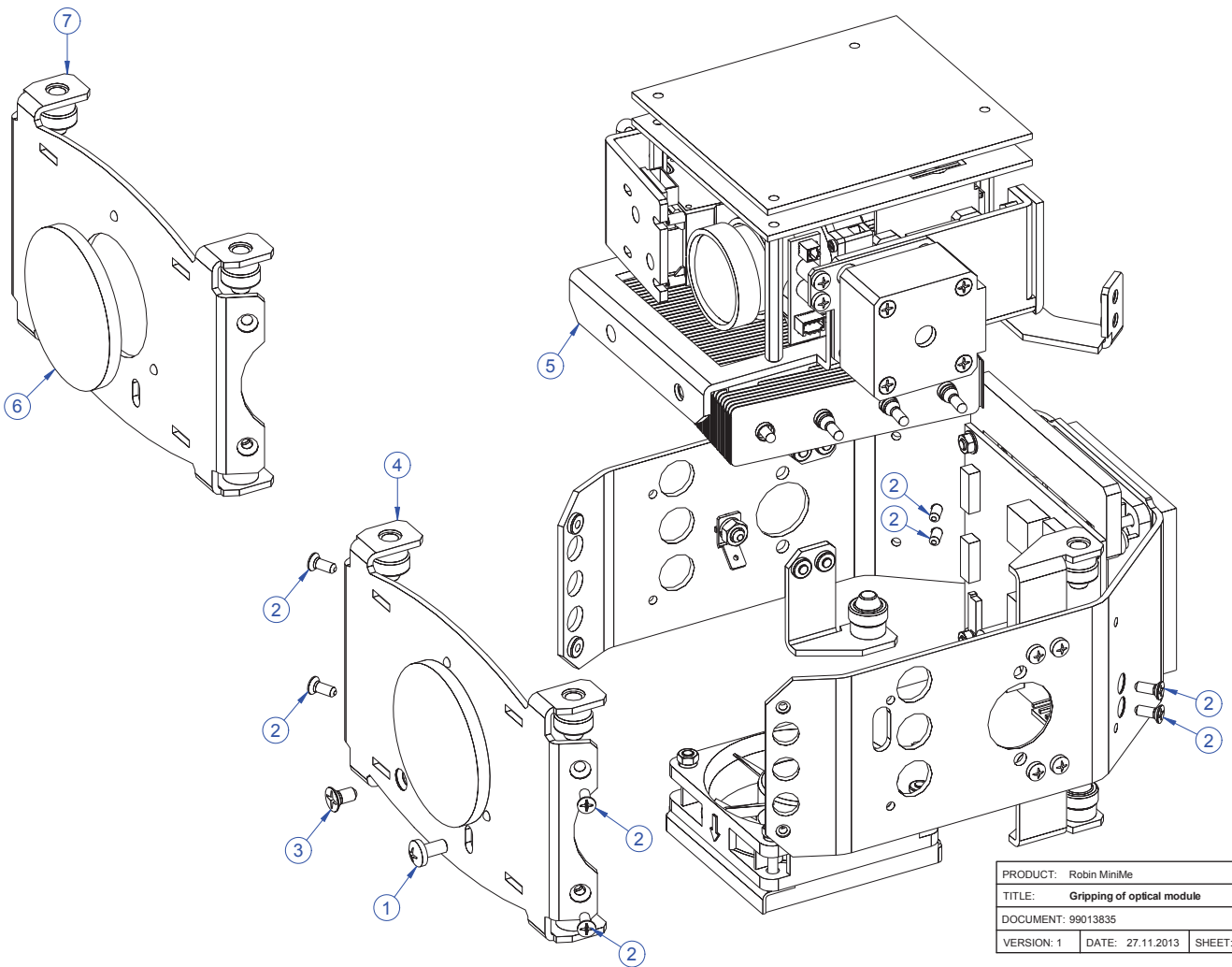
PRODUCT: Robin MiniMe		
TITLE: Covers		
DOCUMENT: 99013834		
VERSION: 1	DATE: 27.11.2013	SHEET: 01 OF 13



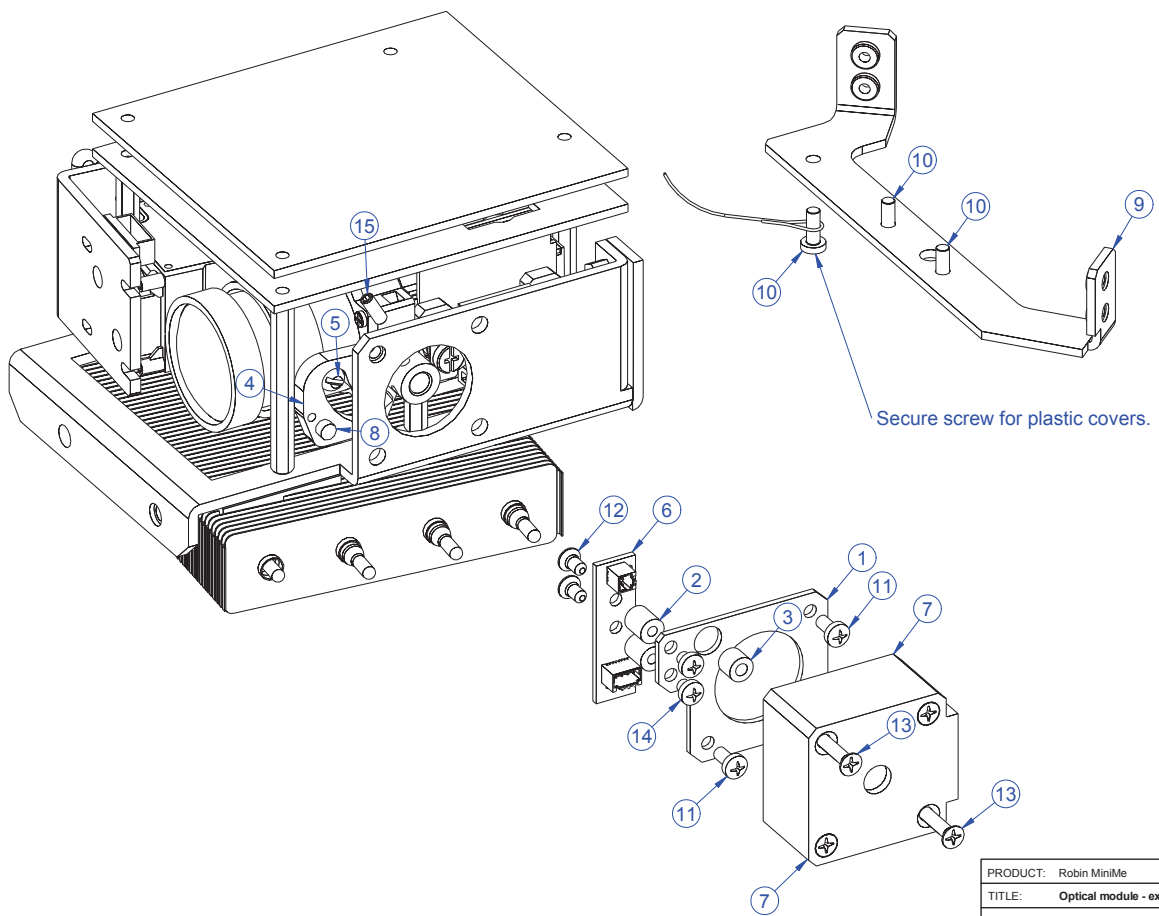
PRODUCT: Robin MiniMe		
TITLE: Covers of head		
DOCUMENT: 99013834		
VERSION: 1	DATE: 27.11.2013	SHEET: 02 OF 13



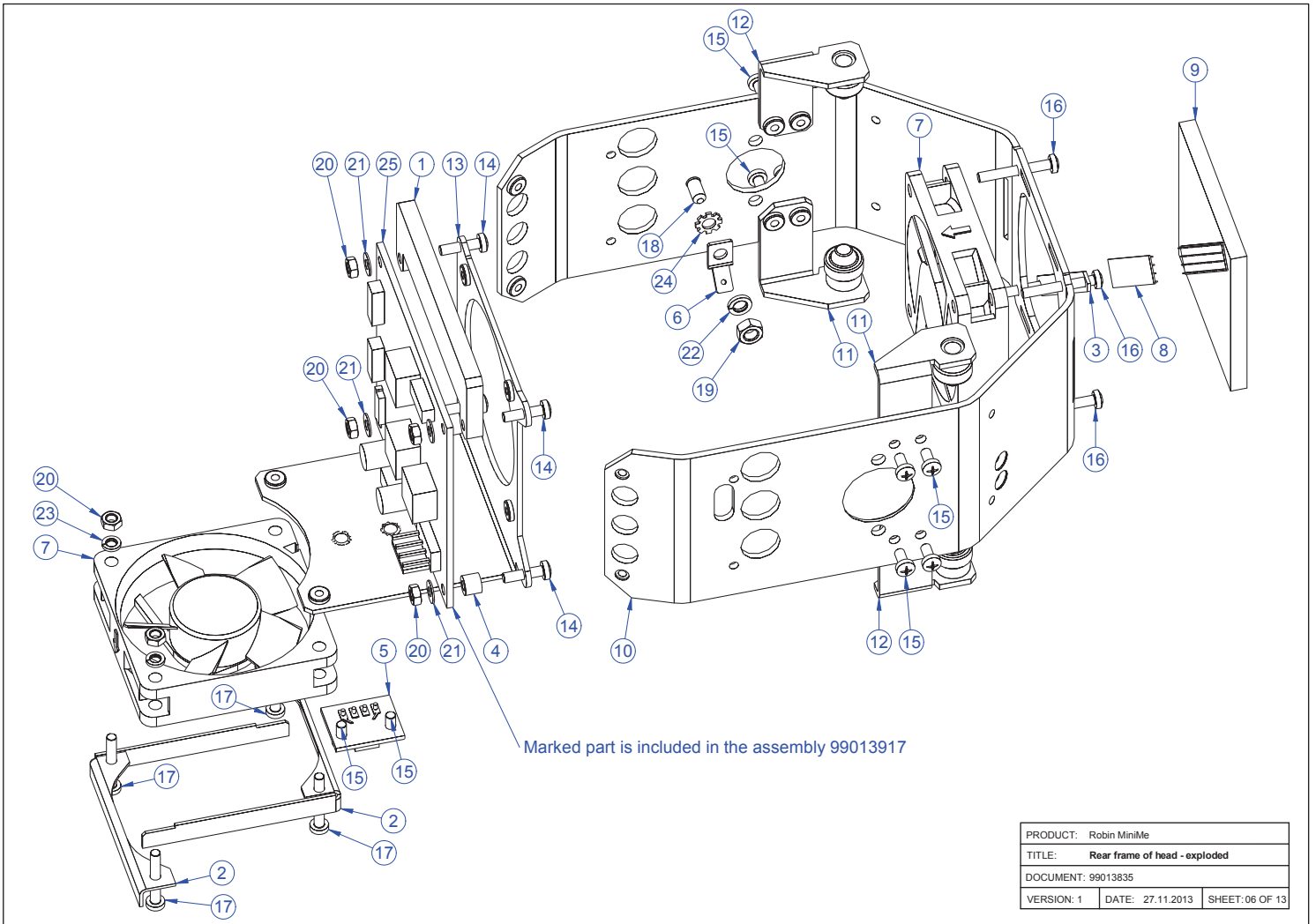
PRODUCT: Robin MiniMe		
TITLE: Gripping of head		
DOCUMENT: 99013834		
VERSION: 1	DATE: 27.11.2013	SHEET: 03 OF 13



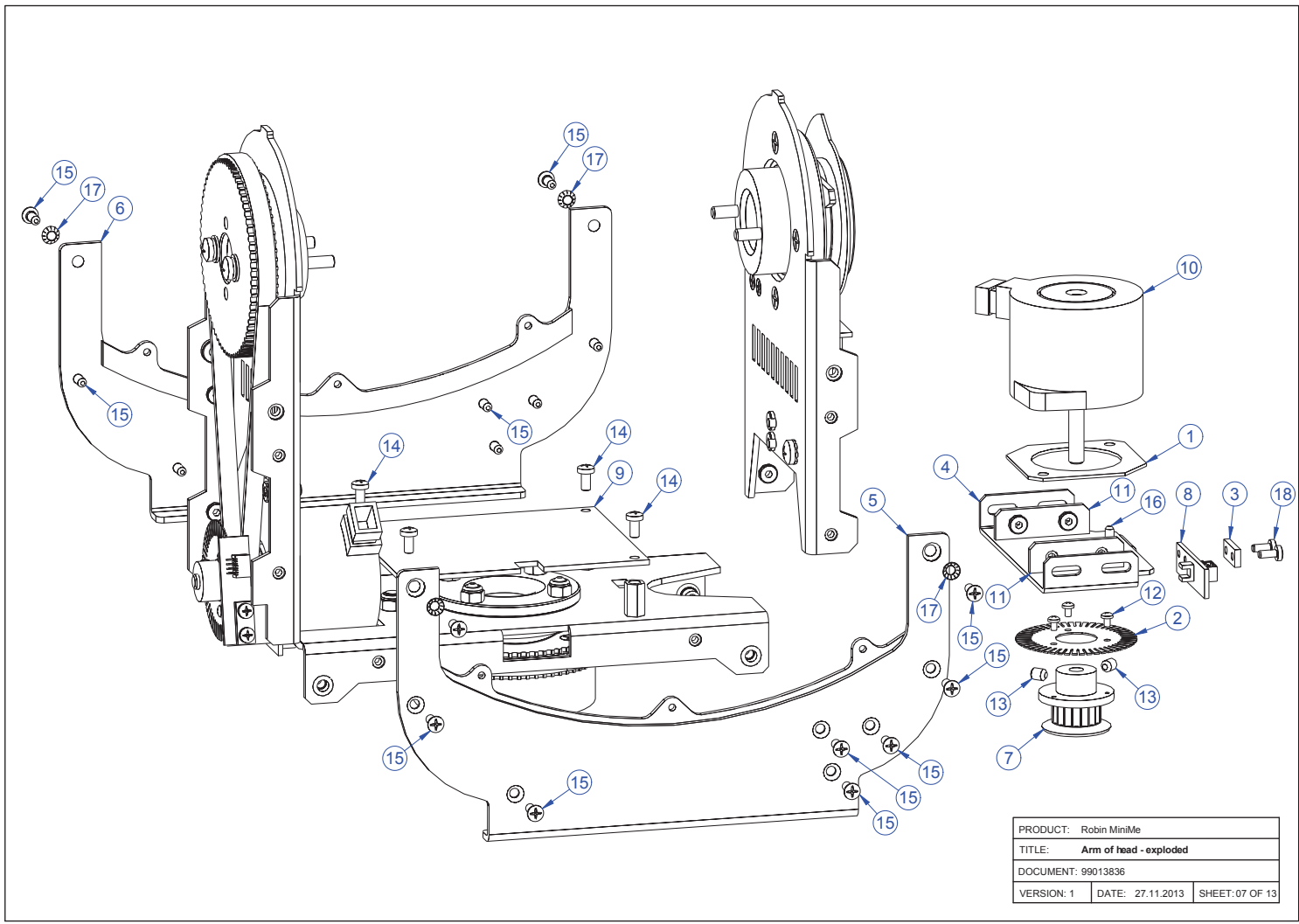
PRODUCT: Robin MiniMe		
TITLE: Gripping of optical module		
DOCUMENT: 99013835		
VERSION: 1	DATE: 27.11.2013	SHEET: 04 OF 13



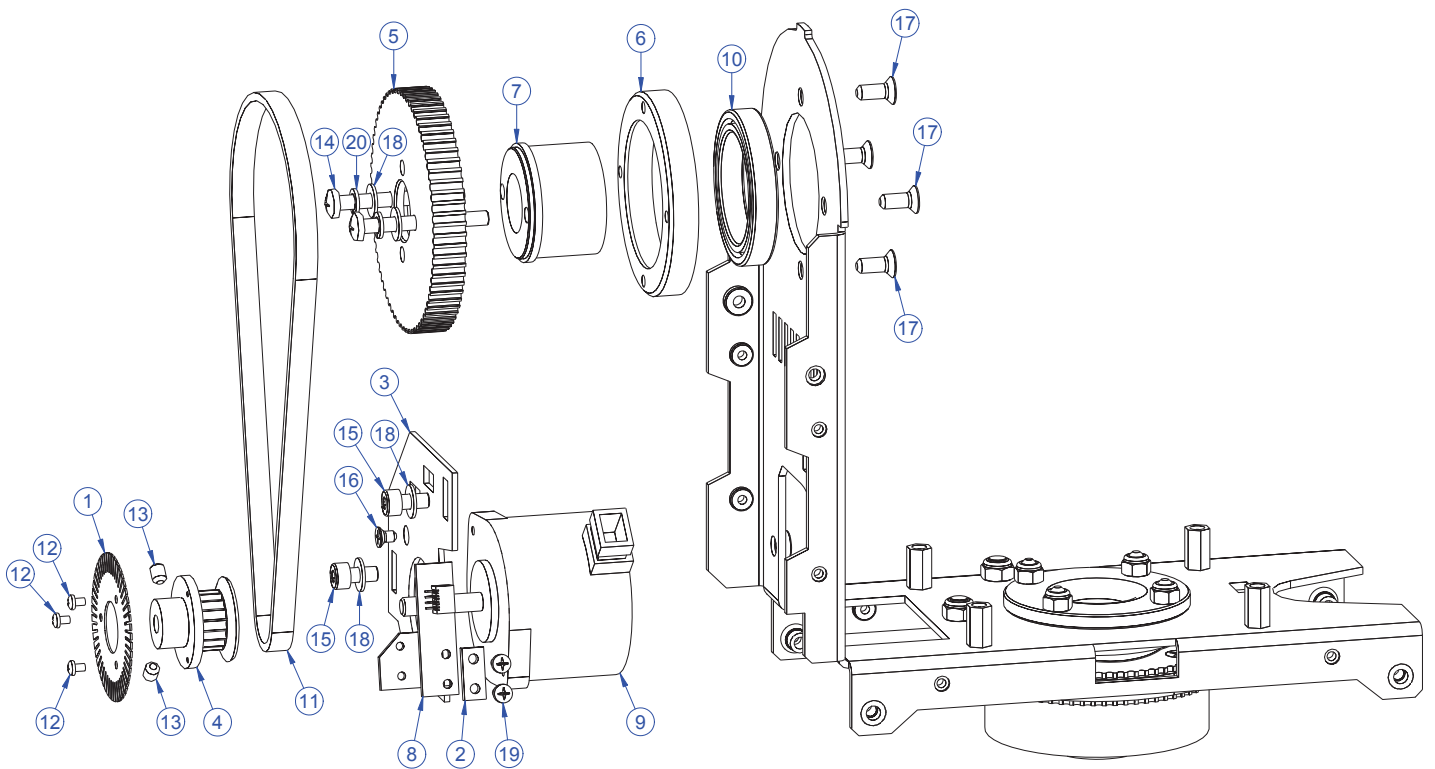
PRODUCT: Robin MiniMe		
TITLE: Optical module - exploded		
DOCUMENT: 99013917		
VERSION: 1	DATE: 27.11.2013	SHEET: 05 OF 13



PRODUCT: Robin MiniMe		
TITLE: Rear frame of head - exploded		
DOCUMENT: 99013835		
VERSION: 1	DATE: 27.11.2013	SHEET: 06 OF 13

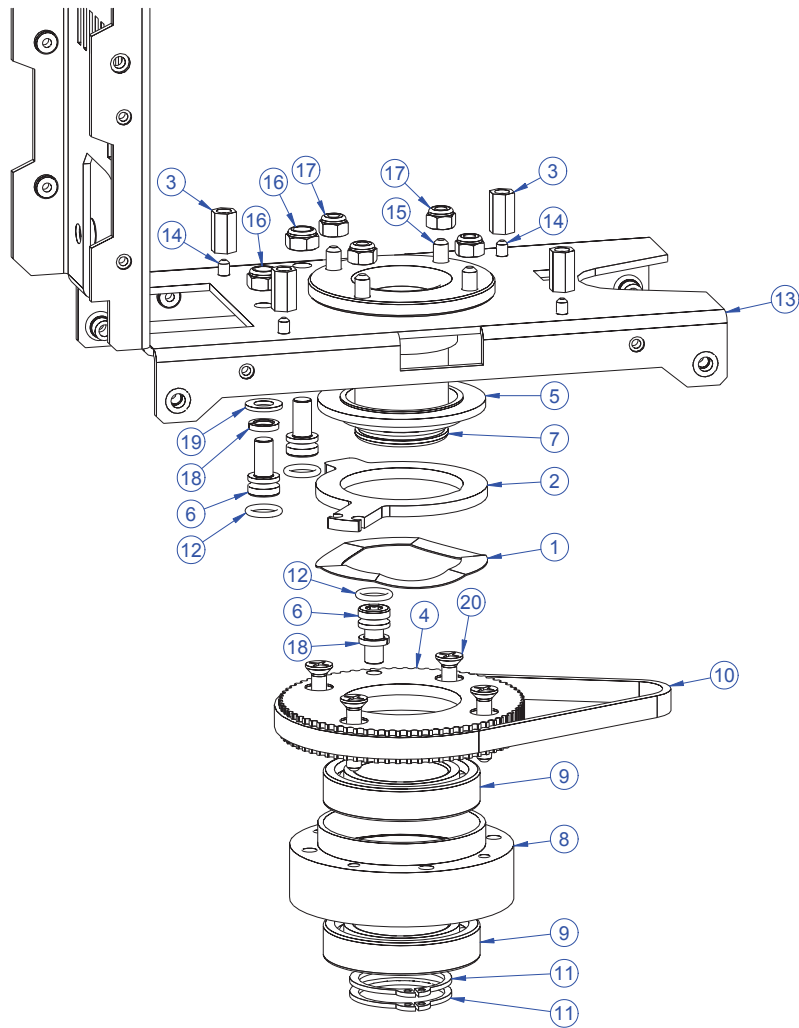


PRODUCT: Robin MiniMe		
TITLE: Arm of head - exploded		
DOCUMENT: 99013836		
VERSION: 1	DATE: 27.11.2013	SHEET: 07 OF 13

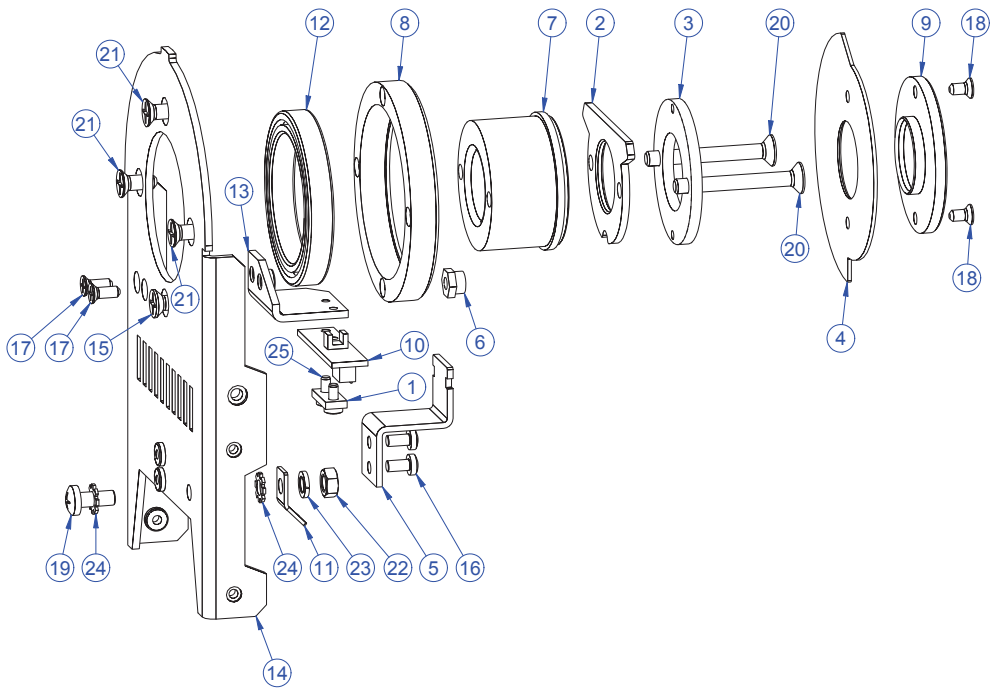


PRODUCT: Robin MiniMe		
TITLE: Holder of axes - part 1		
DOCUMENT: 99013836		
VERSION: 1	DATE: 27.11.2013	SHEET: 08 OF 13

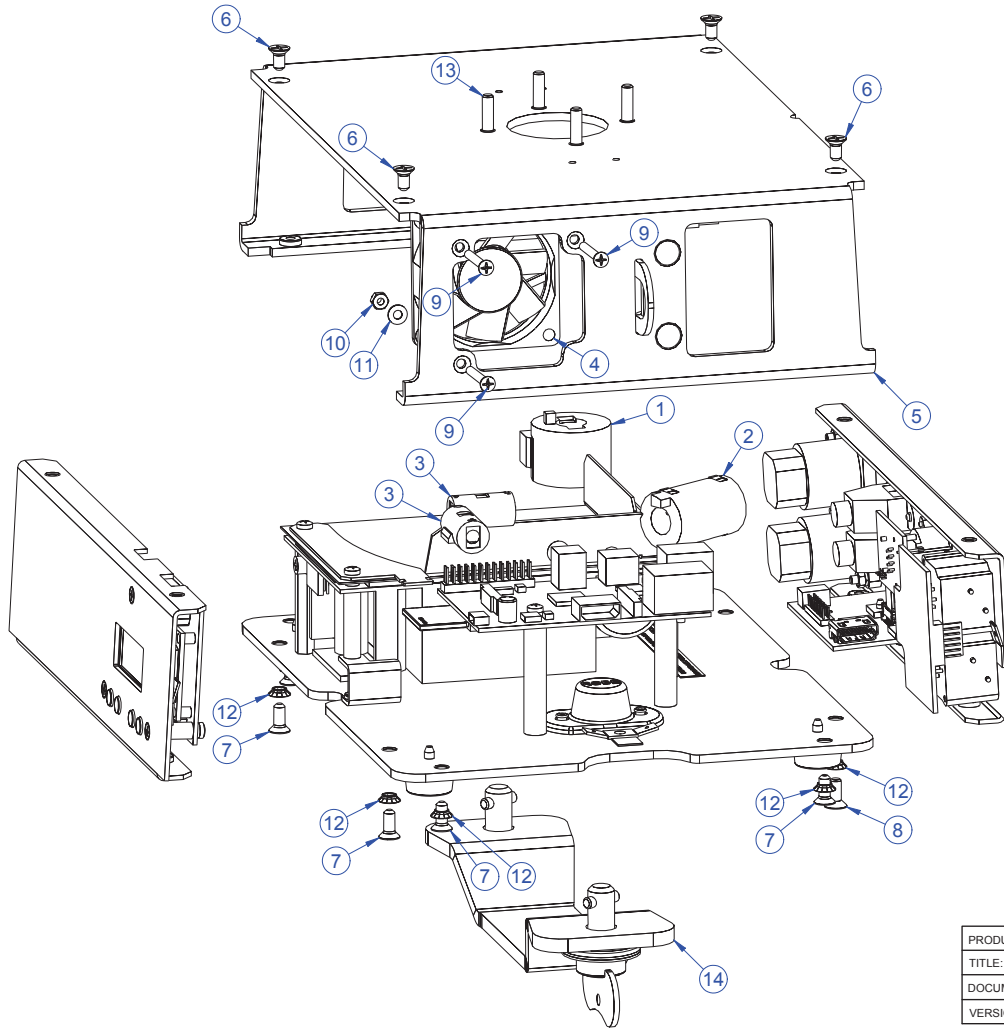




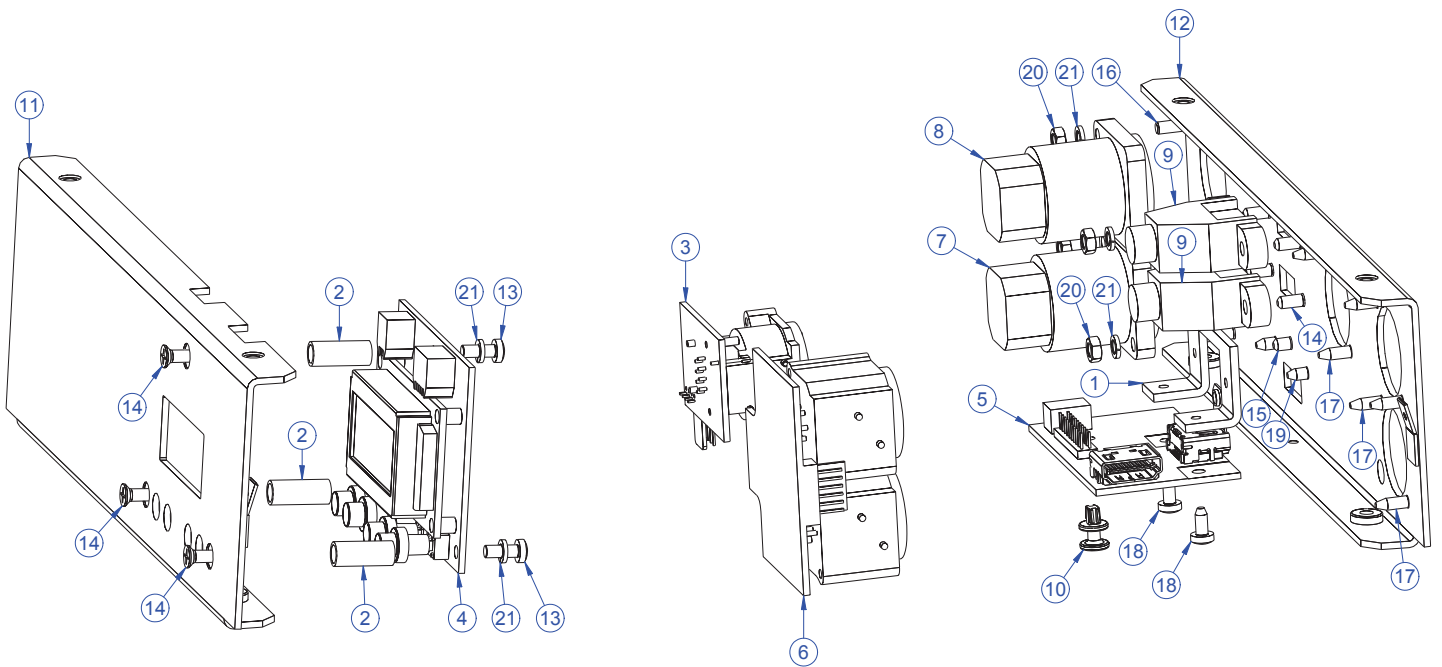
PRODUCT: Robin MiniMe		
TITLE: Holder of axes - part 2		
DOCUMENT: 99013836		
VERSION: 1	DATE: 27.11.2013	SHEET: 09 OF 13



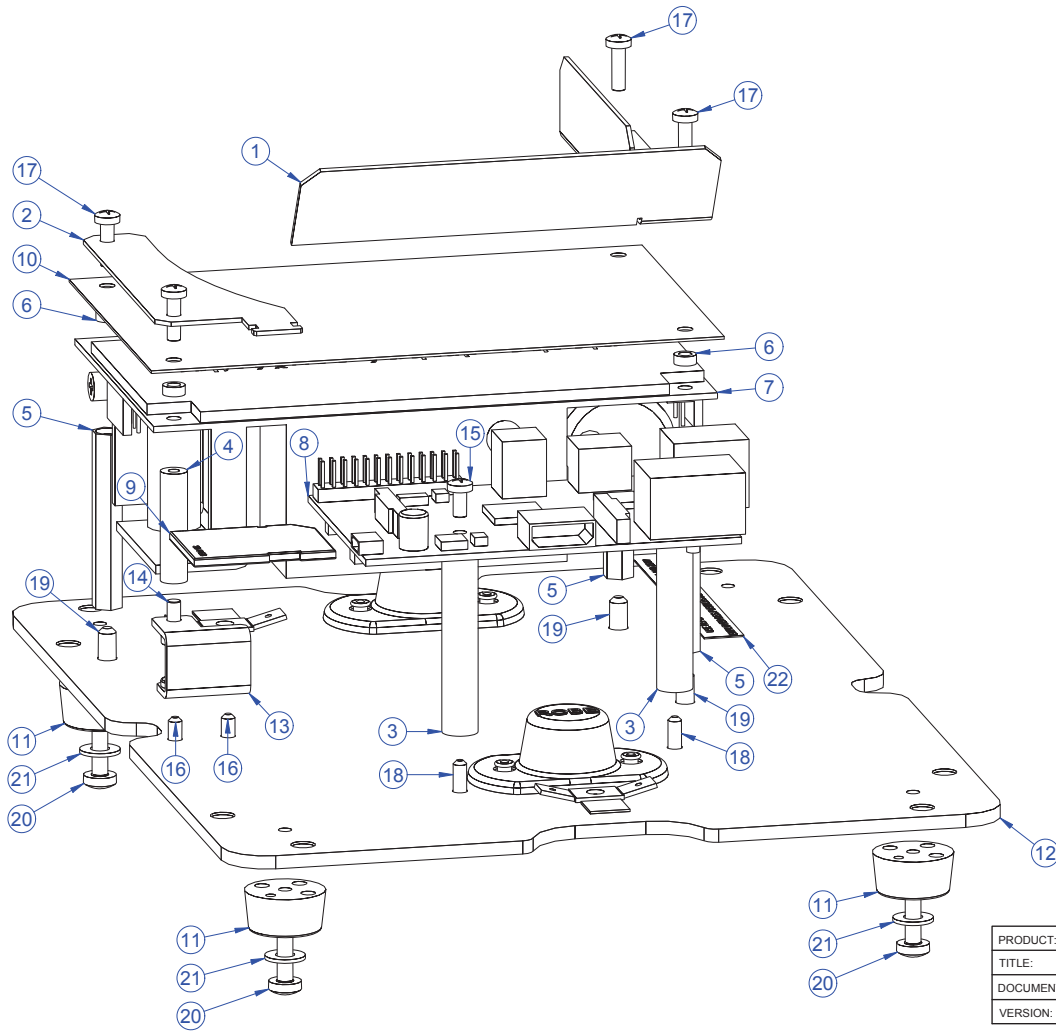
PRODUCT: Robin MiniMe		
TITLE: Arm of axe "Y"		
DOCUMENT: 99013836		
VERSION: 1	DATE: 27.11.2013	SHEET: 10 OF 13



PRODUCT: Robin MiniMe		
TITLE: Explode of base		
DOCUMENT: 99013837		
VERSION: 1	DATE: 27.11.2013	SHEET: 11 OF 13



PRODUCT: Robin MiniMe		
TITLE: Panels of display / connectors		
DOCUMENT: 99013837		
VERSION: 1	DATE: 27.11.2013	SHEET: 12 OF 13



PRODUCT: Robin MiniMe		
TITLE: Holder of power supply		
DOCUMENT: 99013837		
VERSION: 1	DATE: 27.11.2013	SHEET: 13 OF 13